

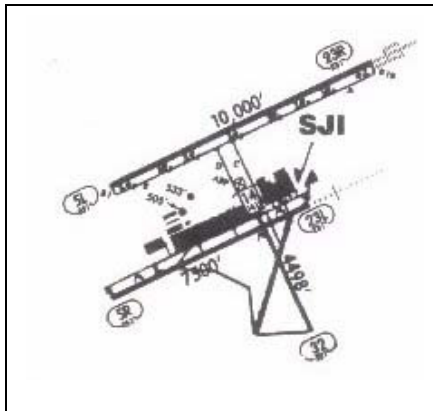
ATIS - 123.8

	DEPARTURE	APPROACH
CODE		
TIME		
WIND		
VISIBILITY		
CEILING		
TEMP/DEW PT		
ALTIMETER		
RUNWAY/APPCH		
NOTES		

CLEARANCE DELIVERY - 120.1

N #		POINT	
Type		ROUTE	
VFR/IFR		ALT	
DEST		FREQ	
ALT		XPONDER	
NOTES			

FREQUENCIES	
GROUND	121.9
CLRNC	
TOWER	127.45
CLRNC	
APP/DEP EAST	125.3
APP/DEP WEST	132.35



ATIS - 123.8

	DEPARTURE	APPROACH
CODE		
TIME		
WIND		
VISIBILITY		
CEILING		
TEMP/DEW PT		
ALTIMETER		
RUNWAY/APPCH		
NOTES		

CLEARANCE DELIVERY - 120.1

N #		POINT	
Type		ROUTE	
VFR/IFR		ALT	
DEST		FREQ	
ALT		XPONDER	
NOTES			

FREQUENCIES	
GROUND	121.9
CLRNC	
TOWER	127.45
CLRNC	
APP/DEP EAST	125.3
APP/DEP WEST	132.35

